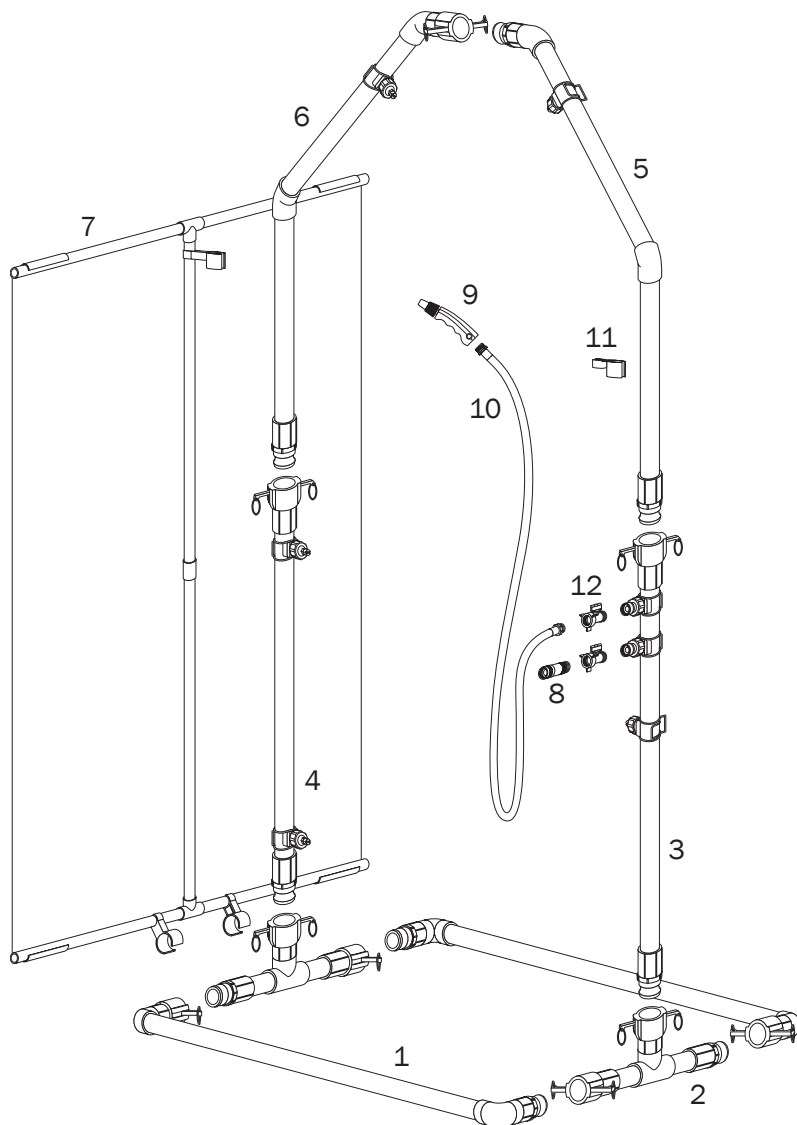


# Indestructo™ Decon Shower HM7000



## Shower Assembly

- A. Remove, inspect, and count all parts (see Parts List below).
- B. Assemble base by connecting the two U-Bases (#1) to the Base Extenders (#2).
- C. Insert Vertical Uprights (#3, #4) into Base Extenders (#2), making sure shower heads are directed inward.
- D. Lay Top Uprights (#5, #6) on flat surface and pre-assemble, then place into Vertical Uprights (#3, #4).
- E. Assemble Side Panel (#7) by inserting upper and lower vertical pieces into horizontal pieces and then attaching the two halves together at the center. Use the mounting clips to attach Side Panel (#7) to Shower as shown.
- F. Attach upper and lower Brass Hose Shutoffs (#12) to both garden hose fittings on shower Vertical Inlet Upright (#3). If water supply is greater than 90 psi pressure, use the Pressure Reducing Valve (#8) between the water supply hose and the lower Brass Shutoff Valve (#12).
- G. Attach the Handheld Spray Nozzle (#9) and Hose (#10) to the upper Brass Hose Shutoff (#12) and attach Handheld Hose Hanger (#11) to the upright. Handheld sprayer should be in the "off" position.
- H. Position spray heads as described in the "Effective Spray Pattern" section on Page 2.

## Parts List

*Replacement parts are available, see Shower Parts Pricelist and contact DQE to order.*

PART NAME	QTY	PART NUMBER
1. U-Base	2	HMPT7000-1
2. Base Extender	2	HMPT7000-2
3. Vertical Inlet Upright	1	HMPT7000-3
4. Vertical Upright	1	HMPT7000-4
5. Top Upright (male)	1	HMPT7000-5
6. Top Upright (female)	1	HMPT7000-6
7. Side Panel Assembly	2	HMPT7000-7
(includes 2 uprights, 2 crossbars, 3 mounting clips, 1 screen, 4 fabric clamps)		
8. Pressure Reducing Valve	1	G-9227
9. Handheld Spray Nozzle	1	2416-20
10. Indestructo Hose	1	CTHM7000-18
11. Handheld Hose Hanger	1	HMPT10017
12. Brass Hose Shutoff	2	N115C
13. Vinyl Carry Bag	1	CTHM7000-9
(not shown)		
14. Stakes (not shown)	2	HMPTSTAKE
15. Straps (not shown)	2	HMPTSTRAP

## **Indestructo™ Decon Shower HM7000**

### **Shower Operation**

- A. Attach water supply hose with standard garden hose fitting (not included) to lower Brass Hose Shutoff (#12). Optimum shower operation is attained when at least 15 gpm (30-50 psi) of water is supplied to the shower inlet.
- B. Turn water supply on. Lower Brass Hose Shutoff (#12) should be in the “open” position and Handheld Sprayer (#9) should be in the “closed” position. It takes approximately 1 minute to achieve full spray pattern.
- C. Check aim of shower heads (see “Effective Spray Pattern”, below) and use shower according to your standard operating procedures.
- D. After use, the shower should be fully decontaminated using your standard operating procedures and in full compliance with state and federal regulations.
- E. The shower should be inspected for damage or missing parts and should be completely dry before storage.
- F. Store in vinyl carry bag (#13) in moderate environmental conditions out of direct sunlight or exposure to ozone.

### **Effective Spray Pattern**

- A. The most effective spray pattern creates a virtual wall of water by overlapping the fan-shaped spray and keeping the spray in a vertical plane with the upright portion of the shower.
- B. All shower heads should be aimed so that the centers of the fans are at approximately the center point of the average user’s body as they stand in the shower.
- C. The optimum spray pattern is attained when at least 15 gpm (30-50 psi) of water is supplied to the shower inlet.

### **Shower Inspection and Maintenance**

- A. As with all emergency equipment you should develop an inspection program that assures its suitability for use in an incident.
- B. Program should include deploying, visually inspecting, and operating the shower at least every 3 months. All problems should be immediately corrected.
- C. Maintenance on this shower is minimal. The inspection program should reveal any problems with quick connects or hose connections. These may include worn or missing O-Rings, broken cam locks or leaking joints.
- D. Due to the nature of the materials used in this shower, cracked pipes are very unlikely.
- E. Occasional coatings of silicone based lubricant on the quick connect surfaces and cam locks will ensure they function smoothly.

### **High Winds**

- A. When the Indestructo Shower is being used outdoors in windy weather, it is best to operate the shower for a short time in order to fill the lower section with water. The weight of the water helps secure the shower to the ground.
- B. When wind speeds exceed 20 mph, it may be necessary to use the enclosed Straps (#14) and Stakes (#15) as a secondary means to secure the shower to the ground.

### **Instructions for Strap Use:**

- C. Set shower up so that the pathway through the shower is perpendicular to the wind.
- D. Wrap straps above 45° bend on the Top Uprights (#5, #6) on both sides and feed one end of strap through the loop at the other end. Cinch it tight above the 45° bend.
- E. Extend strap out and secure the other end to the ground using the enclosed stake or other method.